

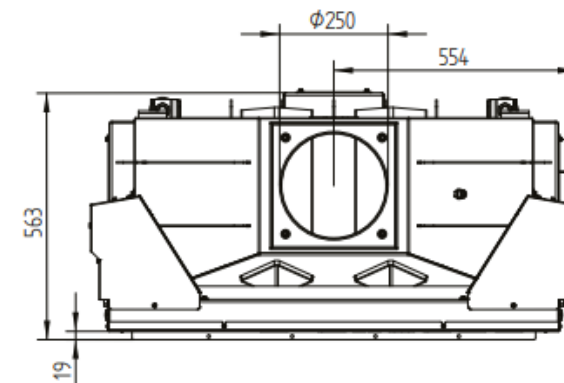
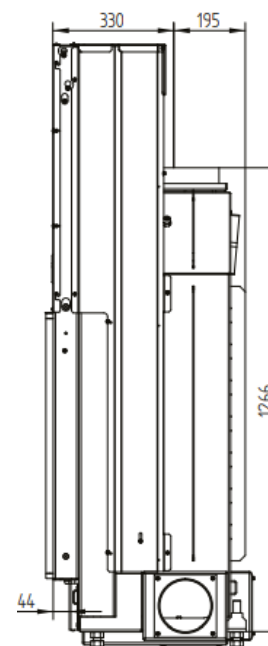
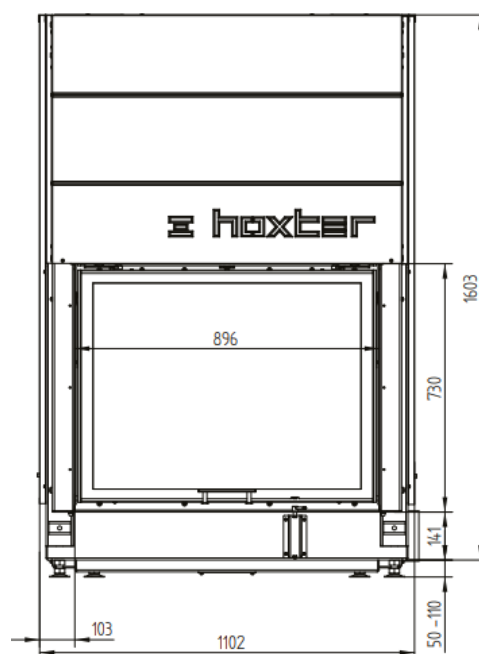


HAKA 89/72

Technical data

Version 2019/08

	operation when directly connected to chimney	operation when connected accumulation mass
Energy label	A	A
Operating data		
Nominal heat power	13,5 kW	----
Efficiency	> 80 %	----
Consumption of wood	3,8 kg/h	5,5 kg
Total heat output of the burning chamber	----	22 kW
Mass flow of flue gas	10,7 g/s	20 g/s
Required chimney pressure	12 Pa	12 Pa
Required amount of combustion air	40 m ³ /h	60 m ³ /h



Καύσιμη ύλη: Ξύλο / Μπρικότα
Ποσοστό Καύσης: 81%
Απόδοση: 9 kW - 18 kW
Διαστάσεις: Υ 1603 / Π 1102 / Β 563
Βάρος: 410 Kg