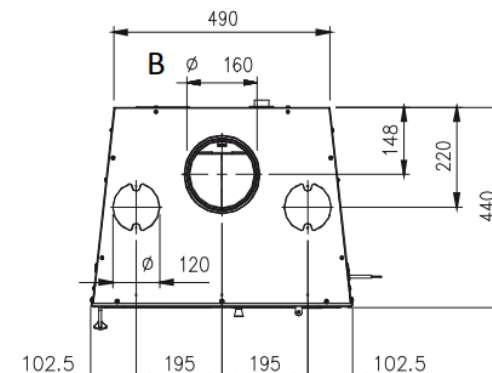
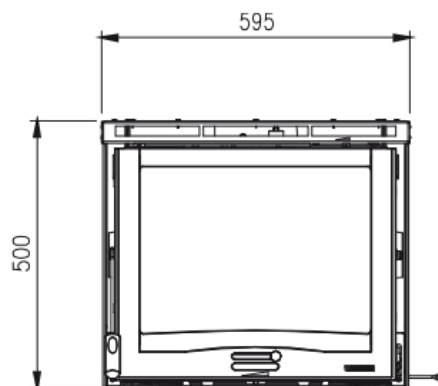


LA NORDICA – MODEL INSERTO 60 4.0 VENTILATO



TECHNICAL CHARACTERISTICS

INSERTO 60 4.0 – VENTILATO

Wood burning ventilated insert

Features: • Extractable ash drawer • Internal facing of the hearth in cast iron and vermiculite • Cast iron fire door • Cast iron structure • Adjustable primary and secondary air for a better combustion control • 2 tangential fans • Post combustion system (low emissions) • Front room ventilation • Ceramic glass • Possibility of channeling the product with specific ventilation kit Inserts / Hearths (optional) + 2 air connection rings (optional) • Regulator ventilation speed

6,5 kW rated thermal input	186 m³ heatable
--------------------------------------	--------------------------------------

Dimensions (WxHxD)	595x500x440 mm
Efficiency	80,8 %
Net weight	124 kg
Hourly consumption	1,9 kg/h
Fumes flue diameter (∅)	160 mm
Energy Label	A⁺